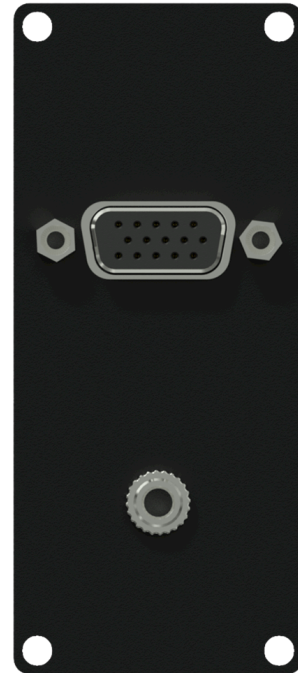


Highlights:


- 1.5 mm thick cold rolled steel frame
- Structured and scratch resistant black powder coating
- Assembly screws included
- Compatible with any CASY chassis
- Solderless connections
- Flexible system for system integration & connectivity

The CASY151 is fitted with female VGA connector on both sides of the module. The front side is also fitted with a female 3.5mm mini jack connector on the front that leads to a pigtail female 3.5 mm mini jack on the back. This flexible structure for system integration & connectivity can easily be implemented in a wide variety of CASY chassis.



Product Features:

| | | |
|------------|--------------------------|---|
| Dimensions | 35.5 x 82.1 mm (W x H) | |
| Weight | 0.053 kg | |
| Connection | VGA & 3.5 mm jack gender | |
| Module | Space | 1 |

| | | | | |
|---|---|-----------------------------|--|---|
|  | CASY151 | | | Product description: CASY 1 SPACE VGA & 3.5MM JACK GENDER |
| Weight: 53 g | Outer dimensions: (w x h x d) 35,5 x 82,1 x 41,7 | Unit height: 2 HE | | |

